

1 2 3 4 5

A

B

C

D

E

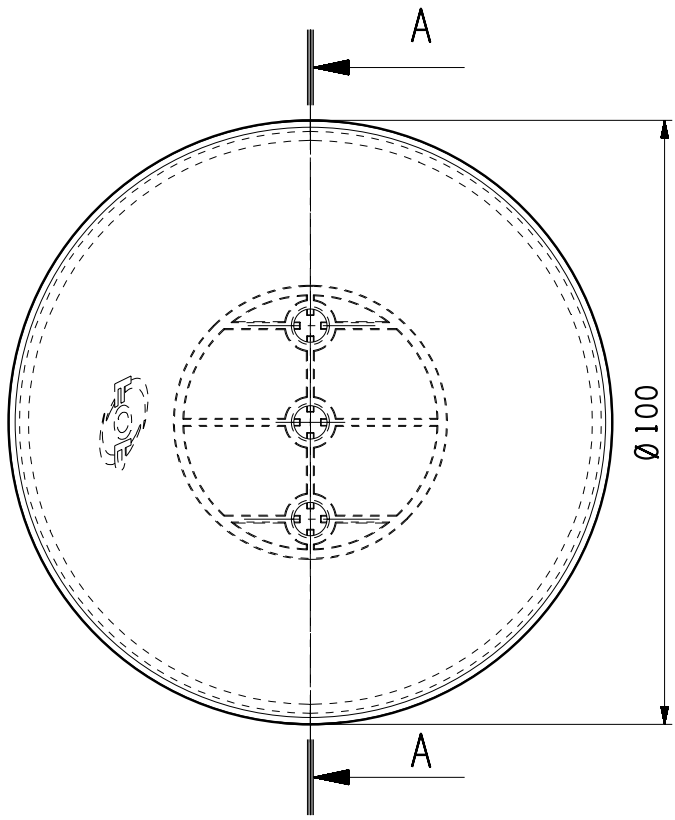
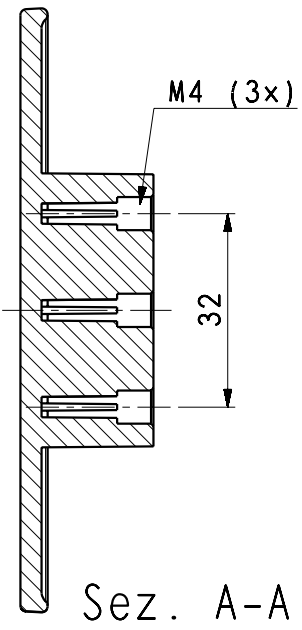
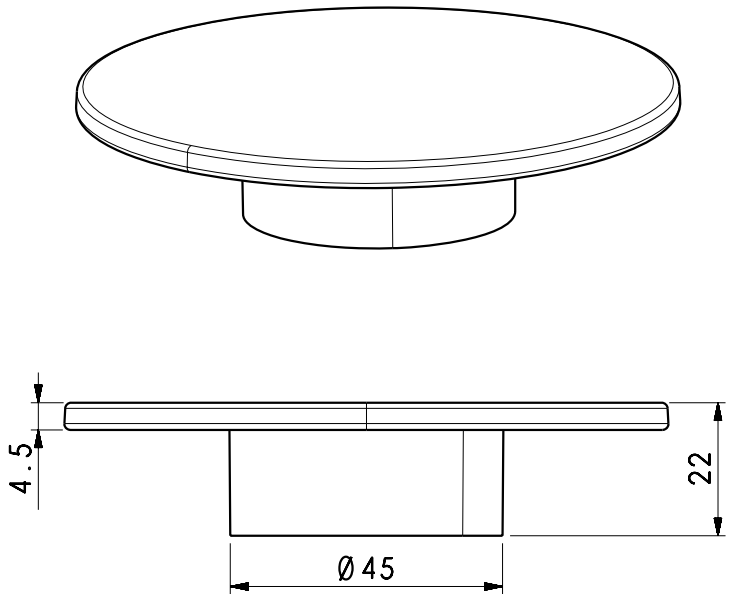
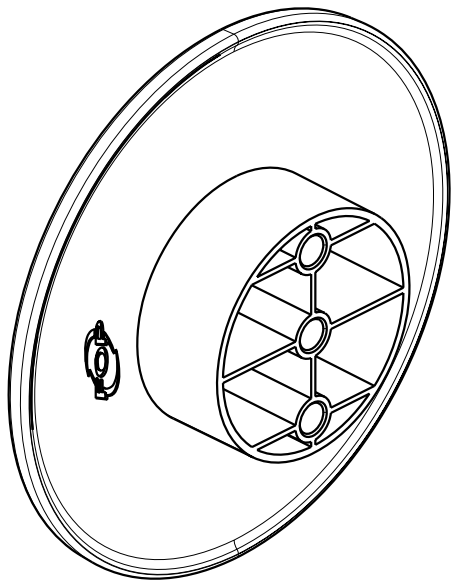
A

B

C

D

E



MATERIAL: ABS

F

F

REV	POSITION	DESCRIPTION	DATE	NAME



		UNIT mm	TYPE DRAFT DRAWING	CREATED BY ****	FORMAT A4	REVISION ***
FILENAME ****		CREATION DATE ****		SCALE 1 : 1.25		SHEET 1 / 1
CLIENT ****		PART CODE		****		
TOOL CODE		****			****	
CHECKED BY		****		CHECKED_DATE		****

G

G

ART. 1031	PROJECT NAME ****	CHECKED BY ****	CHECKED_DATE ****
--------------	----------------------	--------------------	----------------------

1 2 3 4 5